

CLAMPBOE®



4500 LUMEN LED WORKLIGHT

MODEL NO: SMD4500

PART NO: 4003540

INSTRUCTIONS FOR USE

UK
CA | CE



GC06/23

INTRODUCTION

Thank you for purchasing this CLARKE Worklight.

Before attempting to use this product, please read this manual thoroughly and follow the instructions carefully. In doing so you will ensure the safety of yourself and that of others around you, and you can look forward to your purchase giving you long and satisfactory service.

TECHNICAL INFORMATION

| | |
|--------------------------------|--------------------------------|
| Model | SMD4500 |
| Operating voltages | 230V - 50HZ |
| Outlet sockets | 2 x 230V - 50HZ (max 3500W) |
| Cable length | 1.95M |
| LED Wattage consumption | 50W |
| Efficiency | 90L/W |
| Lighting source | 84 x LED (not replaceable) |
| Light output (luminous flux) | 4500LM |
| Colour temperature (rendering) | 6500K |
| Ingress Protection (IP rating) | IP44 (based on output sockets) |
| Operating temperatures | 0 to + 45°C |
| Dimension | 210 x 240 x 180mm |
| Weight | 1.5Kg |

GUARANTEE

This product is guaranteed against faulty manufacture for a period of 12 months from the date of purchase. Please keep your receipt which will be required as proof of purchase.

This guarantee is invalid if the product is found to have been abused or tampered with in any way, or not used for its intended purpose.

Faulty goods should be returned to their place of purchase, no product can be returned to us without prior permission. This guarantee does not effect your statutory rights.

SAFETY PRECAUTIONS

1. This worklight must never be immersed in water.
2. DO NOT look directly into the lamp when switched on as this can harm the eyes.
3. If used with an extension cable always ensure that the extension cable is fully unwound.
4. DO NOT use this worklight if it has a broken lens, casing or damaged cable
5. ALWAYS unplug the worklight before moving it or performing maintenance. Do not touch the lamp when your hands are wet.
6. DO NOT attempt to disassemble or repair the worklight.
7. ALWAYS unplug the worklight when it is not in use.
8. NEVER unplug the worklight by pulling the cable, always hold the plug.
9. NEVER use the worklight if the cable or plug are damaged.
10. ALWAYS stand on firm, level ground.
11. DO NOT cover the lamp or place combustible materials on top of the worklight.
12. DO NOT place within 1m of combustible materials.

SAFETY SYMBOLS

The following symbols appear on the unit.

Read the manual before use



Do not cover



DO NOT COVER

Protect from rain/water



ENVIRONMENTAL RECYCLING POLICY



Through purchase of this product, the customer is taking on the obligation to deal with the WEEE in accordance with the WEEE regulations in relation to the treatment, recycling & recovery and environmentally sound disposal of the WEEE.

In effect, this means that this product must not be disposed of with general household waste but according to the laws governing Waste Electrical and Electronic Equipment (WEEE) at a recognised disposal facility.

ELECTRICAL CONNECTIONS



WARNING: READ THESE ELECTRICAL SAFETY INSTRUCTIONS THOROUGHLY BEFORE CONNECTING THE PRODUCT TO THE MAINS SUPPLY.

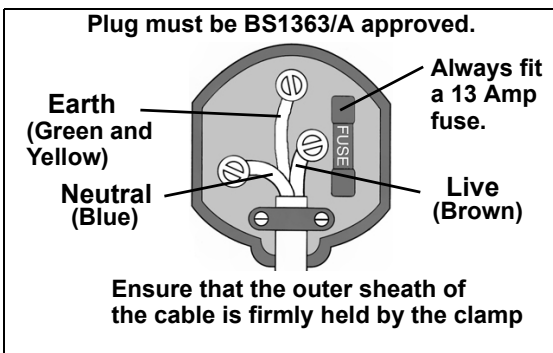
Connect the mains lead to a standard, 230 Volt (50Hz) electrical supply through an approved 13 amp BS 1363 plug, or a suitably fused isolator switch. If the plug has to be changed because it is not suitable for your socket, or because of damage, it must be removed and a replacement fitted, following the wiring instructions shown below. The old plug must be discarded safely, as insertion into a power socket could cause an electrical hazard.



**WARNING: THE WIRES IN THE POWER CABLE OF THIS PRODUCT ARE COLOURED IN ACCORDANCE WITH THE FOLLOWING CODE:
BLUE = NEUTRAL BROWN = LIVE YELLOW AND GREEN = EARTH**

If the colours of the wires in the power cable do not agree with the markings on the plug.

- The BLUE wire must be connected to the terminal which is marked N or coloured black.
- The BROWN wire must be connected to the terminal which is marked L or coloured red.
- The YELLOW AND GREEN wire must be connected to the terminal which is marked E or \perp or coloured green.



We strongly recommend that this product is connected to the mains supply through a Residual Current Device (RCD)

If you are not sure, consult a qualified electrician.

OPERATION

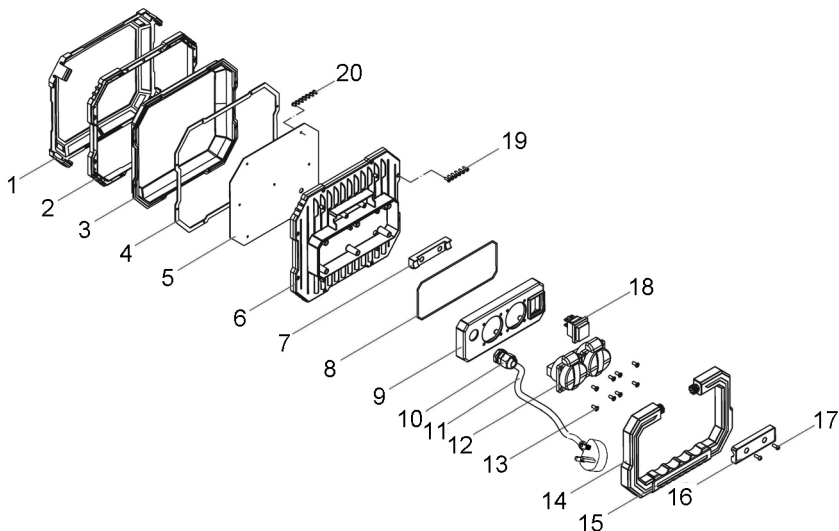
1. The light has four adjustment positions, each at 45° and can be positioned to direct the light as required.
2. Only use extension leads that are of an appropriate power rating and suitable for the work environment. Inspect the extension lead regularly and replace if damaged.
3. Before working with the work light, check that the voltage shown on the light's model plate is the same as the mains voltage being used.
4. Plug the worklight into a grounded electrical outlet.
5. Position the worklight near the work. Adjust to direct the light beam.



CARE & STORAGE

1. When not in use, switch off & unplug from the power supply.
2. Store this worklight folded flat in a secure, dry place, out of the reach of children. DO NOT leave it exposed to the elements and avoid direct sunlight, direct heat, rain/moisture etc.
3. Keep the external surfaces clean. Avoid impact damage & DO NOT allow the worklight to come into contact with abrasive or corrosive materials.
4. DO NOT use solvents, thinners or alcohol for cleaning as these will damage the finish. With the worklight unplugged from the power supply, use a dry cloth to wipe over the components. The LED light source cannot be replaced but has a life expectancy of approximately 30,000 hours.
5. NEVER use unauthorised accessories or attachments which can cause personal injury or damage to the product.
6. DO NOT attempt to replace or change or the LEDs if the protective glass is cracked or broken it must be replaced before the work light is used again.
7. DO NOT attempt to repair or modify this product or attempt any electrical repair yourself. Consult the CLARKE Service Department.

COMPONENT PARTS



| Item | Description |
|------|-----------------------------|
| 1 | Protective cover (optional) |
| 2 | Face frame |
| 3 | Lamp shade |
| 4 | Sealing ring |
| 5 | LED panel |
| 6 | Aluminium housing |
| 7 | Bracket for handle |
| 8 | Sealing ring |
| 9 | Socket box |
| 10 | Waterproof cable gland |

| Item | Description |
|------|-----------------|
| 11 | Cable with plug |
| 12 | Power socket |
| 13 | Screws st4x10 |
| 14 | Carrying handle |
| 15 | Hand grip |
| 16 | Cover plate |
| 17 | Screws M4x10 |
| 18 | Switch |
| 19 | Screws M3x6 |
| 20 | Screws M3x13 |

DECLARATIONS OF CONFORMITY



DECLARATION OF CONFORMITY
Fitzwilliam Hall, Fitzwilliam Place, Dublin 2

This is an important document and should be retained.

We hereby declare that this product(s) complies with the following legislation:

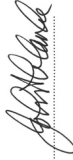
- 2009/125/EC *Ecodesign Directive*
- 2014/30/EU *Electromagnetic Compatibility Directive*
- 2014/53/EU *Low Voltage Directive*
- 2011/65/EU *Restriction of the Use of certain Hazardous Substances in Electrical and Electronic Equipment (RoHS) Directive*

The following standards have been applied to the product(s):

- IEC 62717:2017+A2:2019, EN 13032-4:2015+A1:2019, IEC TR 61647-1:2020,
- EN IEC 55015:2019+A11:2020, EN IEC 61000-3-2:2019, EN 61000-3-3:2013/A1:2019,
- EN 61547:2009, EN IEC 60598-1:2021, EN 60598-2-4:2018, EN 60598-2-5:2015, EN 62493:2015,
- EN 62321-2:2014, EN 62321-3-1:2014, EN 62321-6:2015, EN 62321-8:2017

The technical documentation required to demonstrate that the product(s) meet(s) the requirement(s) of the aforementioned legislation has been compiled and is available for inspection by the relevant enforcement authorities.

The CE mark was first applied in: 2023

Product Description: LED Work Light 230V
Model Number(s): SMD4500
Serial/Batch Number: Refer to product/packaging label
Date of Issue: 04/05/2023
Signed: 

J.A. Clarke
Director



DECLARATION OF CONFORMITY
Hemmill Street, Epping, Essex, CM16 4LG

This is an important document and should be retained.

We hereby declare that this product(s) complies with the following legislation:


- The *Ecodesign for Energy-Related Products Regulations 2010*
- Electromagnetic Compatibility Regulations 2016*
- Electrical Equipment (Safety) Regulations 2016*
- The Restriction of the Use of Certain Hazardous Substances in Electrical and Electronic Equipment Regulations 2012*

The following standards have been applied to the product(s):

- IEC 62717:2017+A2:2019, EN 13032-4:2015+A1:2019, IEC TR 61547-1:2020,
- EN IEC 55015:2019+A11:2020, EN IEC 61000-3-2:2019, EN 61000-3-3:2013/A1:2019,
- EN 61547:2009, EN IEC 60598-1:2021, EN 60598-2-4:2018, EN 60598-2-5:2015, EN 62493:2015,
- EN 62321-2:2014, EN 62321-3-1:2014, EN 62321-6:2015, EN 62321-8:2017

The technical documentation required to demonstrate that the product(s) meet(s) the requirement(s) of the aforementioned legislation has been compiled and is available for inspection by the relevant enforcement authorities.

The UKCA mark was first applied in: 2023

Product Description: LED Work Light 230V
Model Number(s): SMD4500
Serial/Batch Number: Refer to product/packaging label
Date of Issue: 04/05/2023
Signed: 

J.A. Clarke
Director

A SELECTION FROM THE VAST RANGE OF

Clarke®

QUALITY PRODUCTS



AIR COMPRESSORS
From DIY to industrial, Plus air tools, spray guns and accessories.

GENERATORS
Prime duty or emergency standby for business, home and leisure.

POWER WASHERS
Hot and cold, electric and engine driven - we have what you need

WELDERS
Mig, Arc, Tig and Spot. From DIY to auto/industrial.

METALWORKING
Drills, grinders and saws for DIY and professional use.

WOODWORKING
Saws, sanders, lathes, mortisers and dust extraction.

HYDRAULICS
Cranes, body repair kits, transmission jacks for all types of workshop use.

WATER PUMPS
Submersible, electric and engine driven for DIY, agriculture and industry.

POWER TOOLS
Angle grinders, cordless drill sets, saws and sanders.

STARTERS/CHARGERS
All sizes for car and commercial use.



PARTS & SERVICE: 0208 988 7400

Parts Enquiries
Parts@clarkeinternational.com

Servicing & Technical Enquiries
Service@clarkeinternational.com

SALES: UK 01992 565333 or Export 00 44 (0)1992 565335

Clarke INTERNATIONAL Hemnall Street, Epping, Essex CM16 4LG
www.clarkeinternational.com